

# International

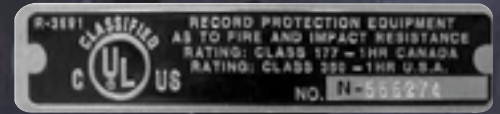
## FireKing® Turtle

### Big Protection in a Compact Size. Perfect for Home or Small Business.

The new FireKing Turtle File offers full-scale protection in a small, economical size that's ideal for home, personal office or small business. It meets the same UL® Class 350 1-hour Fire and Impact rating as FireKing's larger models, and offers quality FireKing features including: scratch-resistant, powder coated

finish; heavy-duty, telescoping, all-bearing drawer suspensions; field replaceable exterior steel panels; standard key lock.

The FireKing Turtle File is equipped for A-4 filing (front-to-back) or for foolscap or legal-sized filing (side-by-side). Available in platinum (light gray).



#### 4R1922-C Four-Drawer Vertical International

Dimensions:  
1340 mm H x 468 mm W x 562 mm D  
52 3/7" H x 18 27/64" W x 21 47/64" D

Inside Dimensions:  
273 mm H x 329 mm W x 384 mm D  
10 3/4" H x 12 61/64" W x 15 7/64" D

Weight:  
218 kg/480 lbs.



#### 2R1922-C Two-Drawer Vertical International

Dimensions:  
705 mm H x 468 mm W x 562 mm D  
27 3/4" H x 18 27/64" W x 21 47/64" D

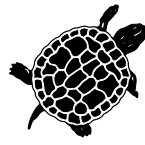
Inside Dimensions:  
273 mm H x 329 mm W x 384 mm D  
10 3/4" H x 12 61/64" W x 15 7/64" D

Weight:  
120 kg/265 lbs.

UL® is a registered trademark of Underwriters Laboratories® and is used with permission.

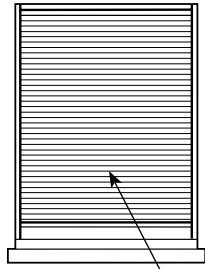


FireKing International, LLC  
101 Security Parkway New Albany, Indiana 47150/USA  
812-948-8400/800-457-2424 • Fax: 812-948-0437/800-227-7513  
E-mail: [fireking@fireking.com](mailto:fireking@fireking.com) • website: [www.fireking.com](http://www.fireking.com)  
A member of the FireKing® Security Group. F-0107-01

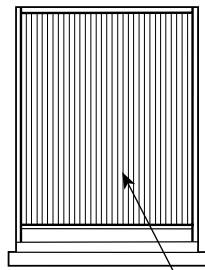


# FireKing Turtle Specifications

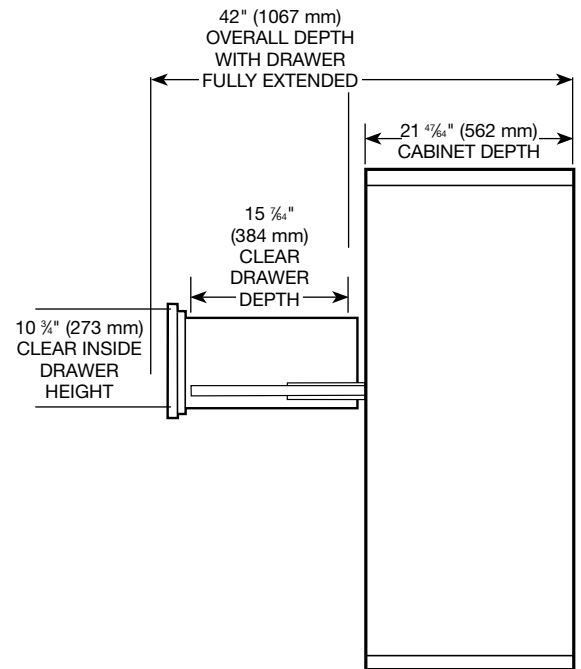
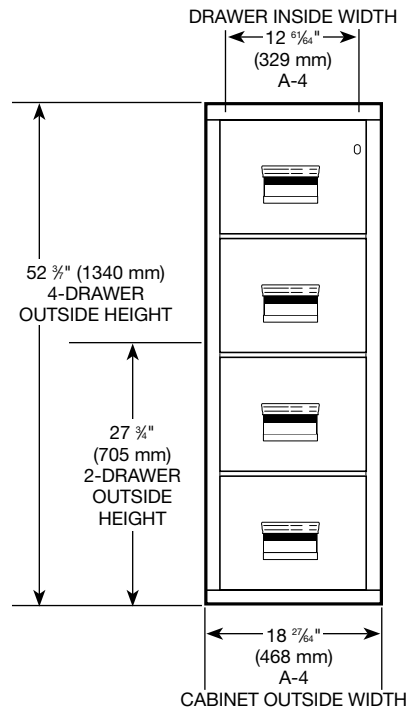
## RECOMMENDED FILING ARRANGEMENTS FOR 2- AND 4-DRAWER VERTICAL FILES



A-4 FILING  
FRONT-TO-BACK



FOOLSCAP  
AND LEGAL FILING  
SIDE-TO-SIDE



### Fire and Impact Rating

The FireKing Turtle's Underwriters Laboratories® "Insulated Records Container" classification includes a one-hour fire test of 1700° F (926° C), an explosion hazard test and a 30-foot impact test.

### Insulation

The FireKing Turtle's casting is of 100% gypsum insulation, dried in a low-temperature oven to reduce free moisture to less than 1/2%. Insulation is reinforced with 14-gauge galvanized welded-steel wire; and insulation between all drawers makes each drawer a separate insulated container.

### Steel Panels

All exterior FireKing Turtle steel panels are replaceable in the field in the event of minor damage.

### Finish

An electrostatically applied powder coating makes for the FireKing Turtle's superior scratch, scuff and stain resistance. Plus, a five-stage pre-finishing treatment is provided for unmatched adhesion and rust resistance.

### Drawers

**Suspension:** A precision ball bearing telescoping suspension, bayonet-mounted to each drawer body, is securely mounted with screws to metal posts in the FireKing Turtle's file body.

### Drawer Bodies

Each FireKing Turtle drawer body is built with high sides for use with hanging folders – no additional frames are required. Drawers are suitable for both A-4 and foolscap/legal-sized filing. For A-4-sized documents, use a front-to-back filing method; for foolscap/legal-sized documents, use a side-to-side system.

### Drawer Heads

FireKing Turtle drawer heads are formed of welded steel and filled with gypsum insulation. The drawer heads are designed for a tight interlock with the cabinet frame – making the drawers extra-resistant to heat transfer.

### Drawer Lock

A four-pin keylock provides general locking of all FireKing Turtle drawers.

### Drawer Bypass

Works for all FireKing Turtle drawers. In its "up" position, a two-position drawer catch allows that drawer to stay unlocked while all others remain locked.

### Drawer Pulls

Recessed for better space utilization.

### Free Replacement Guarantee

If your FireKing Turtle is ever required to protect your information in a fire, we will replace your FireKing Turtle free after it's done its job if any damage has occurred to its exterior.

