

STI CCTV HOUSINGS

Protective Cover to Help Reduce Vandalism and Tampering to CCTV Camera

Here's a way to protect your CCTV camera from vandalism and tampering. This addition to our Stopper® Line of products is available in aluminum or ABS construction. The larger of the two units is constructed of aluminum, the smaller model is of ABS construction. Both models are available in two versions. One version consists of the sturdy housing unit, while another version includes housing, heater, blower and sun shield. The sun shield can reduce internal temperature by 4°F (2°C). All units include mounting bracket.



STI-7000K or STI-7100K



STI-7200K or STI-7300K



STI-7071 MOUNTING BRACKET

Features

- Sturdy aluminum or ABS construction.
- Spring assisted forward opening lid (aluminum housing only).
- Aluminum models have two cord grips on bottom of enclosure with a minimum diameter of .24 in. (6mm) and maximum diameter of .41 in. (10mm). ABS model has one cord grip.
- Models with sun shield can reduce internal temperature by 4°F (2°C).
- Mounting bracket fits all four CCTV camera models.
- Two year warranty on enclosure, bracket and electronics under normal use.
- All models contain mounting bracket and camera housing.
- Easy access for servicing and installation.
- Aluminum models have rear link-lock latch.



Safety Technology International, Inc.
2306 Airport Road • Waterford, Michigan 48327-1209
Phone: 248-673-9898 • Fax: 248-673-1246
Toll Free: 800-888-4STI • E-mail: info@sti-usa.com
Web: www.sti-usa.com

Safety Technology International (Europe) Ltd.
Unit 49G Pipers Road • Park Farm Industrial Estate • Redditch
Worcestershire • B98 0HU • England • Tel: 44 (0) 1527 520 999
Fax: 44 (0) 1527 501 999 • Freephone: 0800 085 1678 (UK only)
E-mail: info@sti-europe.com • Web: www.sti-europe.com

STI CCTV HOUSINGS

Dimensions and Technical Information

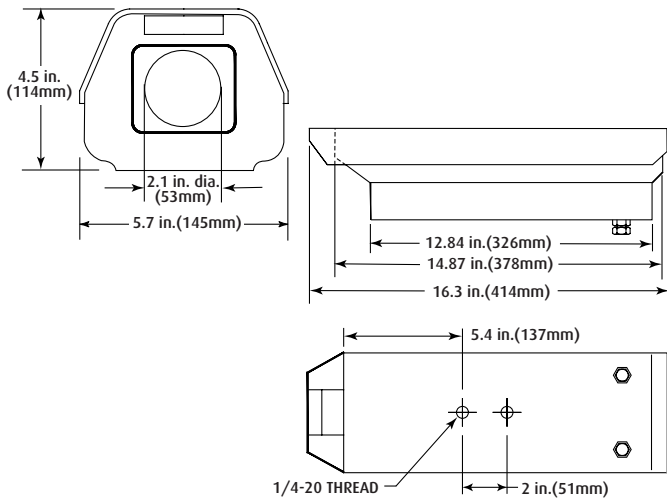
Models Available

- STI-7000K** CCTV Housing - aluminum with mounting bracket
- STI-7100K** CCTV Housing - aluminum with heater, blower, sun shield and mounting bracket
- STI-7200K** CCTV Housing - ABS with mounting bracket
- STI-7300K** CCTV Housing - ABS with heater, blower, sun shield and mounting bracket

ACCESSORIES

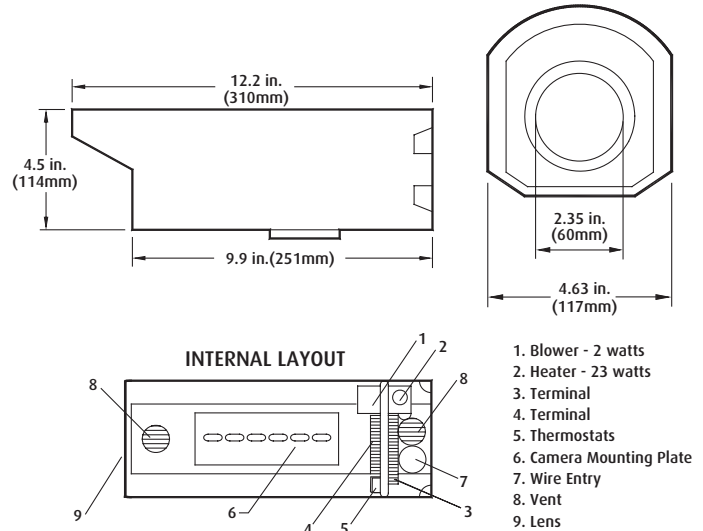
- STI-7001** Sun shield for STI-7000K
- STI-7201** Sun shield for STI-7200K
- STI-7071** Mounting Bracket
- 01710** Replacement lens for STI-7000K and STI-7100K

Aluminum Camera Housing



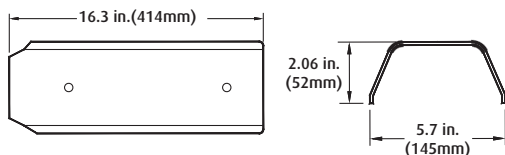
Specifications	Model	STI-7100K
	Input Voltage	24VAC
	Power	Heater: 20 W / Blower: 2.3 W
	Current Draw	1 amp at 25W
	Material	Aluminum
	Viewing Window	2.125" (54mm) diameter
	Max Size (camera & lens)	6.85"x3.54"x2.85" (17mm x 90mm x 72mm)
	Heater and Blower Activates	ON: 50°F ±9°F (10°C ±5°C) OFF: 68°F (20°C)
	Blower Activates	ON: 95°F ±9°F (35°C ±5°C) OFF: 72°F (20°C)
	Color	Almond
Weight	3.8 lbs. (1.72 kg)	

ABS Camera Housing



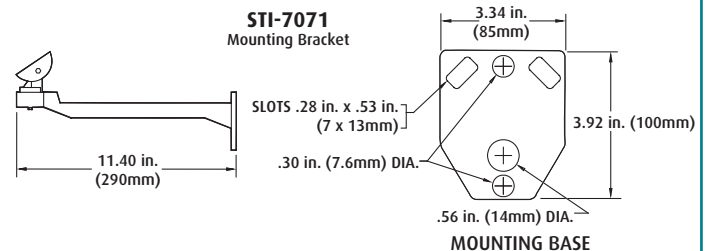
Specifications	Model	STI-7300K
	Input Voltage	24VAC
	Power	Heater: 23 W / Blower: 2 W
	Current Draw	960 mA @ 23W
	Material	ABS
	Viewing Window	2.68" (68mm) diameter
	Max Size (camera & lens)	5.90"x2.48"x2.48" (150mm x 63mm x 63mm)
	Heater & Blower Activates	ON: 50°F ±9°F (10°C ±5°C) OFF: 79°F ±9°F (26°C ±5°C)
	Blower Activates	ON: 95°F ±9°F (35°C ±5°C) OFF: 72°F ±9°F (22°C ±5°C)
	Color	Almond
Weight	1.3 lbs. (.6 kg)	

STI-7001
Sun Shield (for STI-7000 and STI-7100K)



Specifications	Material	Aluminum
	Color	Almond
	Weight (per unit)55 oz. (140g)

STI-7071
Mounting Bracket



Specifications	Mounting	3 Screws (exposed)
	Load Rating	22 lbs. (10 kg)
	Material	Aluminum
	Color	Almond
	Weight (per unit)	1.92 lb. (.87 kg)