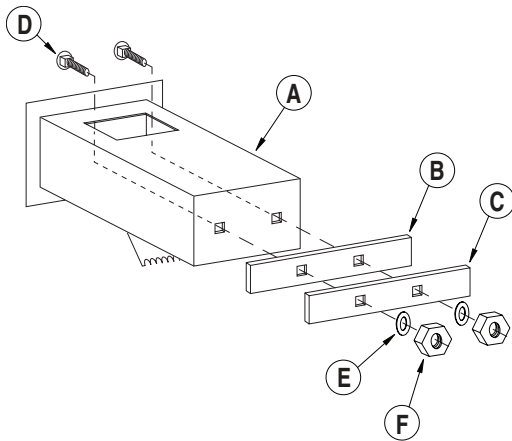




MANUAL DROP DRAWER REPLACEMENT INSTRUCTIONS For BSD, BDD, D8C, D8X, S3 Safes



Item	Part	Description
A	600764	Drop Drawer (3.25 x 6)
B	701242	Nylon Stop Stop
C	701243	Steel Stop Bar
D	HB201	Backstop Carriage Bolt (x2)
E	6201050	Backstop Washer (x2)
F	HN201	Backstop Hex Nut (x2)

DRAWER REMOVAL

Open the safe outer and inner doors. Slide the drawer out as far as possible. Remove the backstop hex nuts. Remove the backstop washer, metal stop bar, and plastic stop bar. Slide the drawer out. Retrieve the carriage bolts from inside the drawer.

DRAWER INSTALLATION

Insert the carriage bolts into the drawer. Align the bolt heads so that they are fully through the back of the drawer. Gently insert the drawer into the safe chassis until no more than 6 inches and no less than 5 inches of drawer extend out of the chassis. From inside the inner compartment carefully slide the plastic stop, then the metal stop, then the washers over the carriage bolts. Put on both hex nuts and tighten. Test operation of the manual drop by sliding the drawer in and out at least twice.



NKL® Cash Handling is a member of FireKing Security Group
101 Security Pkwy • New Albany IN 47150

www.fireking.com

Technical Support: 1.800.452.4655

REV 11/08